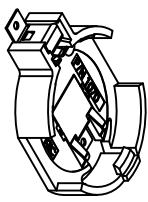
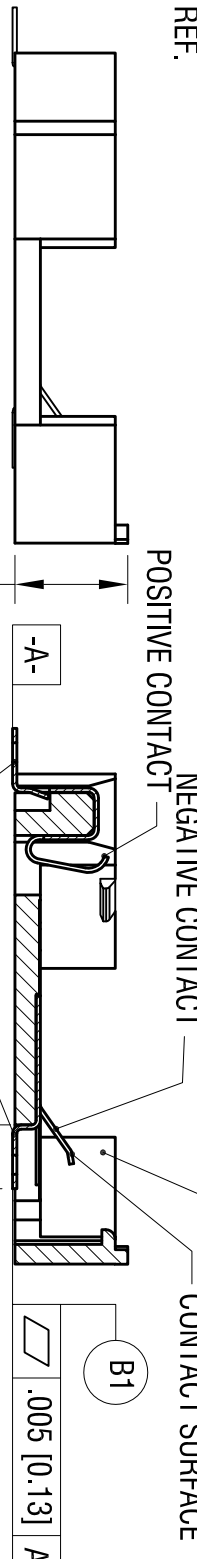
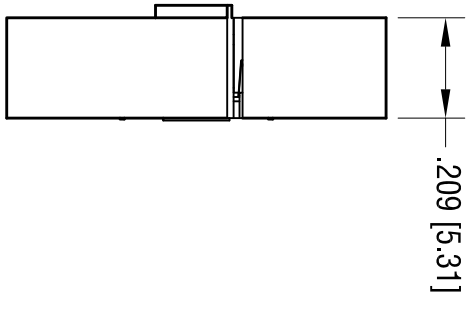
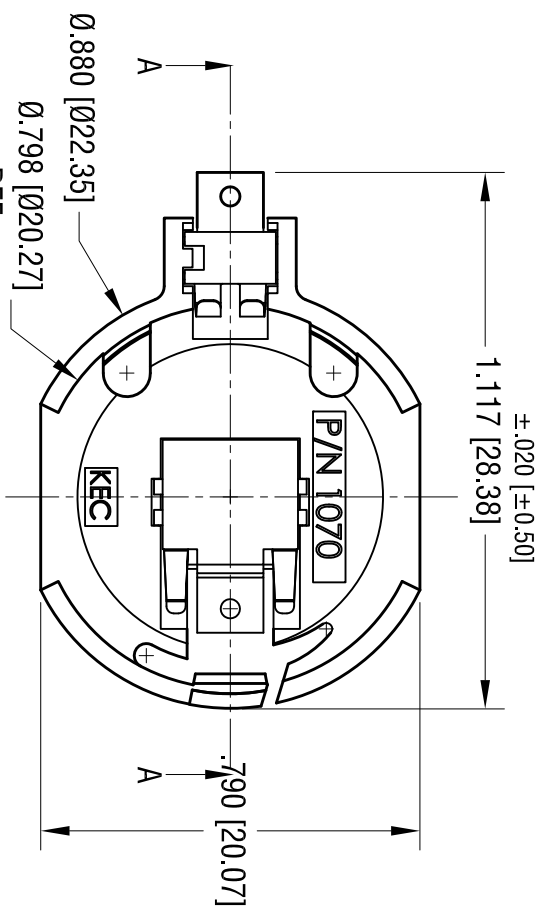


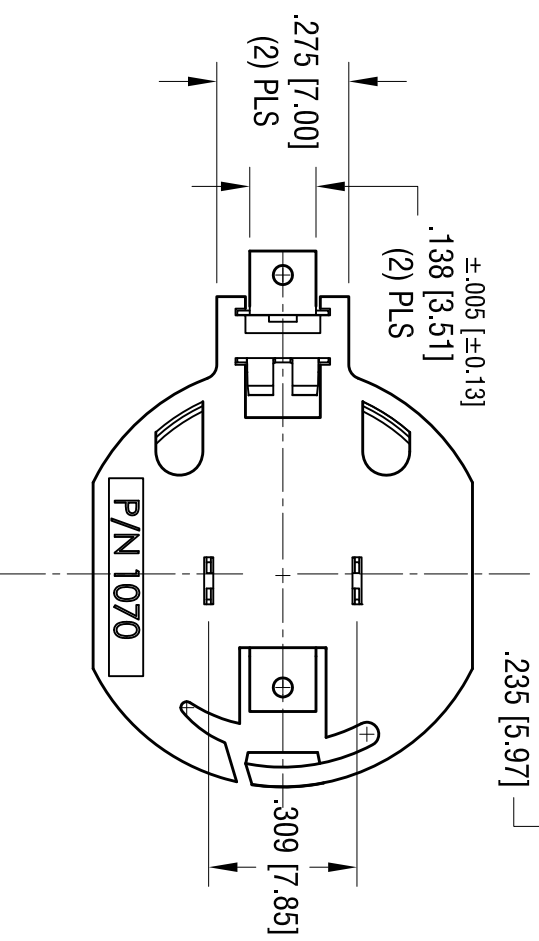
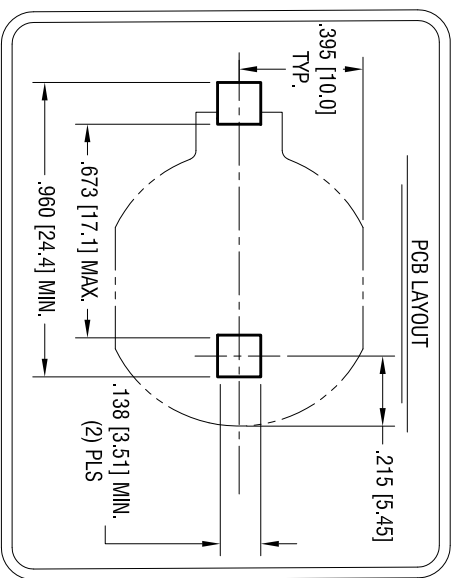
DATE	DESCRIPTION	REV.
4.28.14	CHANGE AS PER ECN 14-049	A
9.10.20	CHANGE AS PER ECN 20-078 BASE MAT'L WAS NYLON 46	B
11.12.20	CHANGE AS PER ECN 20-089 ADD FLATNESS (B1)	C



ACTUAL SIZE



SECTION A-A



NOTES:

1. BASE:  
MAT'L - PA9T, BLACK COLOR, UL 94-V0
2. POSITIVE CONTACTS:  
MAT'L - .009 [0.23] THK PHOSPHOR BRONZE  
FINISH: GOLD FLASH, OVER NICKEL PLATING
2. NEGATIVE CONTACTS:  
MAT'L - .009 [0.23] THK STAINLESS STEEL  
FINISH: GOLD FLASH, OVER NICKEL PLATING

<b>KEYSTONE ELECTRONICS CORP.</b>			
www.keystone.com • NEW HYDE PARK, NY 11040 • Tel (516) 328-7500			
PART NAME		2032 BATTERY HOLDER, SMT	
MATERIAL		AS NOTED	
FINISH		AS NOTED	
TOLERANCES	INCH	[MM]	CODE
DECIMAL	± .010	[± 0.25]	C
ANGULAR	± 1°		
UNLESS OTHERWISE SPECIFIED			
DRN BY	NT	DATE	11.07.13
APP'D	CW	SCALE	2.5X
DWG NO.		<b>1070</b>	

THIS DOCUMENT IS THE PROPERTY OF KEYSTONE ELECTRONICS CORP. AND SHALL NOT BE REPRODUCED, DISTRIBUTED OR USED AS A BASIS FOR MANUFACTURE WITHOUT PRIOR WRITTEN PERMISSION FROM KEYSTONE ELECTRONICS CORP.